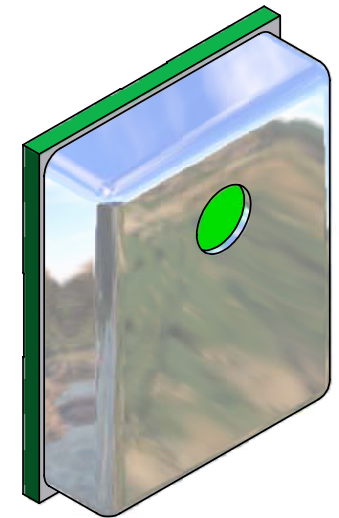
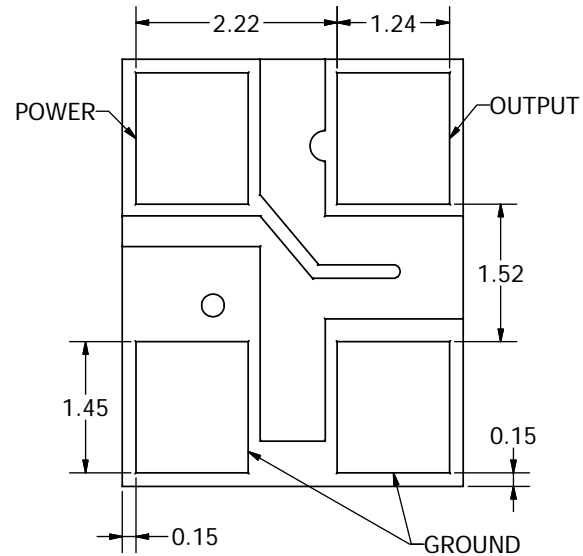
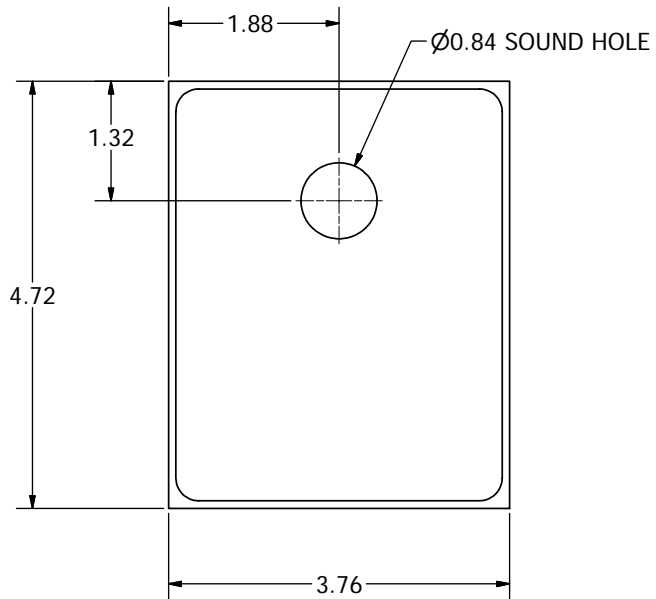
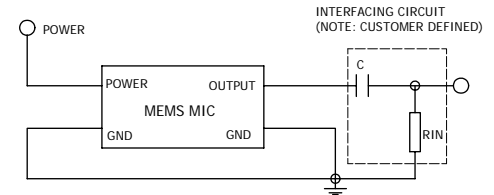


| SPECIFICATIONS               |             |       |
|------------------------------|-------------|-------|
| PARAMETERS                   | VALUES      | UNITS |
| DIRECTIVITY                  | OMNI        | -     |
| SENSITIVITY                  | -42 ± 3     | dB    |
| STANDARD OPERATING VOLTAGE   | 2.1         | Vdc   |
| MAX OPERATING VOLTAGE        | 3.6         | Vdc   |
| CURRENT CONSUMPTION (MAX)    | 200         | µA    |
| IMPEDANCE (MAX)              | 100         | Ohm   |
| SIGNAL TO NOISE RATIO (MIN.) | 55          | dB    |
| INTERNAL CAPACITOR           | 33 & 10     | pF    |
| FREQUENCY RANGE              | 100 ~ 7,000 | Hz    |
| OPERATING TEMPERATURE        | -40 ~ +100  | °C    |
| STORAGE TEMPERATURE          | -40 ~ +100  | °C    |

THIS DOCUMENT CONTAINS DATA PROPRIETARY TO PROJECTS UNLIMITED, INC. ANY USE OR REPRODUCTION, IN ANY FORM, WITHOUT PRIOR WRITTEN PERMISSION OF PROJECTS UNLIMITED, INC. IS PROHIBITED.  
©2003, Projects Unlimited Inc.

| REVISION HISTORY |                           |           |          |
|------------------|---------------------------|-----------|----------|
| LTR              | DESCRIPTION               | DATE      | APPROVED |
| -                | RELEASED FROM ENGINEERING | 2/13/2008 |          |



**NOTES:**

1. ALL DIMENSIONS ARE IN MILLIMETERS.
2. SPECIFICATIONS SUBJECT TO CHANGE OR WITHDRAWAL WITHOUT NOTICE.
3. THIS PART IS RoHS 2002/95/EC COMPLIANT.
4. MAXIMUM OF 120dB INPUT SPL (FOR LESS THAN 0.5% DISTORTION).
5. OUTPUT SIGNAL @ 94dB SPL, 1KHz (-45dB/5.65mV, -40dB/10.04mV).
6. 1dB SENSITIVITY VARIATION OVER OPERATING RANGE (1.5-3.6V).

|                                                                                                          |                   |                   |           |            |           |             |           |                          |
|----------------------------------------------------------------------------------------------------------|-------------------|-------------------|-----------|------------|-----------|-------------|-----------|--------------------------|
| UNLESS OTHERWISE SPECIFIED:<br>DIMENSIONS ARE IN MILLIMETERS,<br>TOLERANCES ARE ±0.5 AND ANGLES ARE ±3°. | SIZE<br><b>A3</b> | Designed by       | Date      | Checked by | Date      | Approved by | Date      | Drawn Date               |
|                                                                                                          |                   | J.D.              | 2/13/2008 | R.W.       | 2/14/2008 | B.R.        | 2/14/2008 | 2/13/2008                |
|                                                                                                          |                   |                   |           |            |           |             |           | <b>ROSM-1342-C3310-R</b> |
| ROSM-1342-C3310-R.idw                                                                                    |                   | <b>Microphone</b> |           |            |           | Edition     | Sheet     |                          |
|                                                                                                          |                   |                   |           |            |           | -           | 1 / 1     |                          |